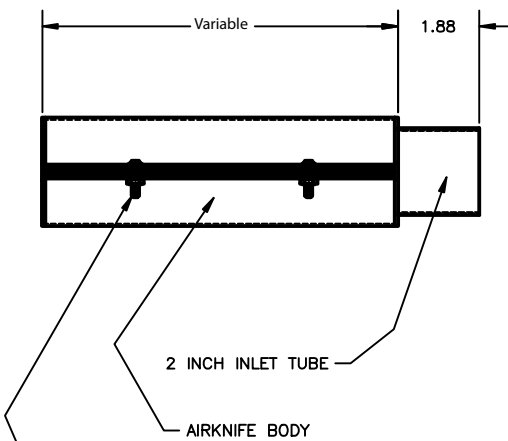
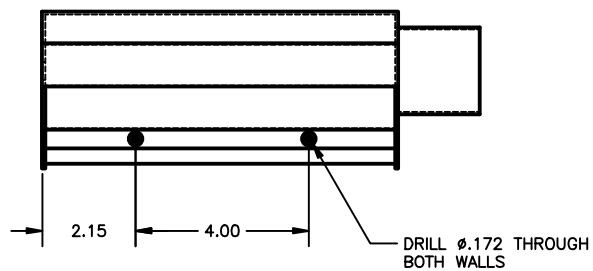
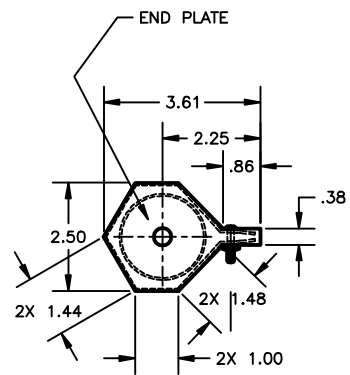
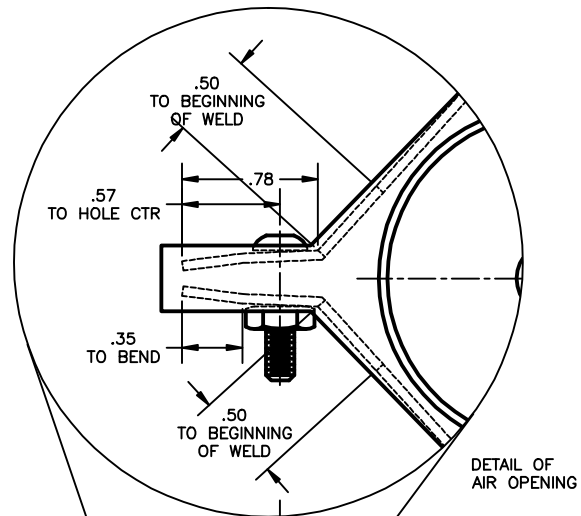


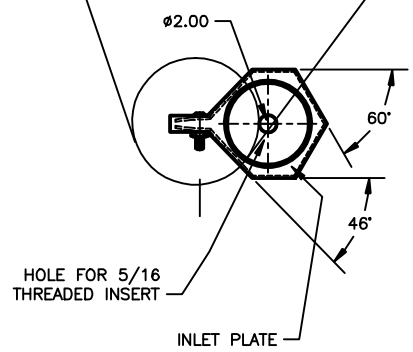
| REVISIONS | | | | |
|-----------|-----|-------------|------|----------|
| ZONE | REV | DESCRIPTION | DATE | APPROVED |
| | | | | |



8-32 X 3/4 HEX SOC
BTN HD CAP SCREW
WITH NYLOCK NUT, 2
REQ'D



DETAIL OF AIR OPENING



HOLE FOR 5/16
THREADED INSERT

INLET PLATE

- NOTE:
- MAT'L FOR PLATES AND INLET TUBE = .065 WALL 316 SS
 - MAT'L FOR BODY = 16 GA SS
 - WELD PLATES TO BODY ALL AROUND EXCEPT AIR OPENING AS INDICATED,

| | | | | |
|----------------|--------------|--------------------------|--------------|-----|
| TOLERANCES | | TITLE | | |
| .XX = ±.01 | .XXX = ±.001 | 2 INCH AIRKNIFE ASSEMBLY | | |
| ANGLES = ±.01° | | MIDWEST AIR TECHNOLOGY | | |
| SCALE FULL | SHEET SIZE A | DATE 10/3/2006 | DWG NO. 1009 | REV |